

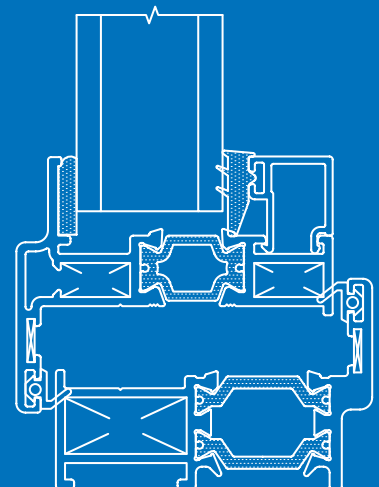
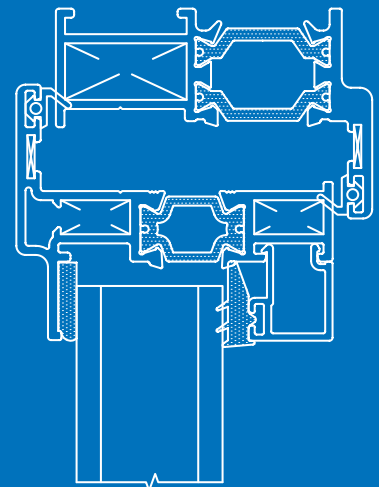


**smart**  
architectural aluminium

## Alitherm Heritage

The ideal window and door solution for heritage applications such as listed building renovations where planning regulations demand a like-for-like replacement window with optimum thermal performance.

- Window Energy Rating B
- U Value 1.6 W/m<sup>2</sup>K
- BS 6375 Part 1: 2009  
Resistance to Weather



# Alitherm Heritage Window

Alitherm Heritage provides the ideal solution for heritage applications such as listed building renovations and large scale replica-refurbishment projects where planning constraints are to be considered.

The Alitherm Heritage window is designed to be built as a series of horizontal modules which can be stacked using horizontal couplers to form a multi-part window featuring a specially design drip bar between modules.



## Application

- Fixed windows
- Single or double sash open out casements
- Top hung open out casements

## Features

- Polyamide thermal break provides enhanced thermal performance
- Designed as a direct replacement for steel windows

## Finish

Single or dual colour, marine quality polyester powder coat as standard

## Technical Performance

<b>WER Rating</b>	B
<b>U Value</b>	1.6 W/m <sup>2</sup> K
<b>Air</b>	Class 3, 600pa
<b>Water</b>	Class AE, 2400pa
<b>Wind</b>	Class E1050
<b>Doc L 2010</b>	Yes

## Dimensions

<b>Frame Depth</b>	47mm
<b>Glass</b>	24mm

## Test Certification

BS 6375 Part 1: 2009 Resistance to Weather

## Recommended Design Limits

- Side Hung Vent Max o/a width: 700mm
- Side Hung Vent Min o/a width: 300mm
- Side Hung Vent Max o/a height: 1400mm
- Maximum Vent weight: 24kg
- Top Hung Vent Max o/a width: 1400mm
- Top Hung Vent Max o/a height: 1200mm
- Top Hung Vent Min o/a height: 220mm
- Maximum Vent weight: 35kg

# Alitherm Heritage Door

The Smart Alitherm Heritage door is the ideal replacement for steel balcony doors on heritage applications such as building renovations or apartment conversions. The Alitherm Heritage door provides the solution for conservation areas where planning regulations require a like-for-like product replacement.

Alitherm Heritage door profiles feature the system's signature slim sightlines and elegant lines that complement Smart's existing Alitherm Heritage window and mimic those of steel doors. The system has all the advantages of modern aluminium profiles that feature Polyamide thermal breaks, allowing the system to achieve a U Value of 1.8 W/m<sup>2</sup>K when installed with a suitable sealed unit.



## Application

- Single or double doors

## Features

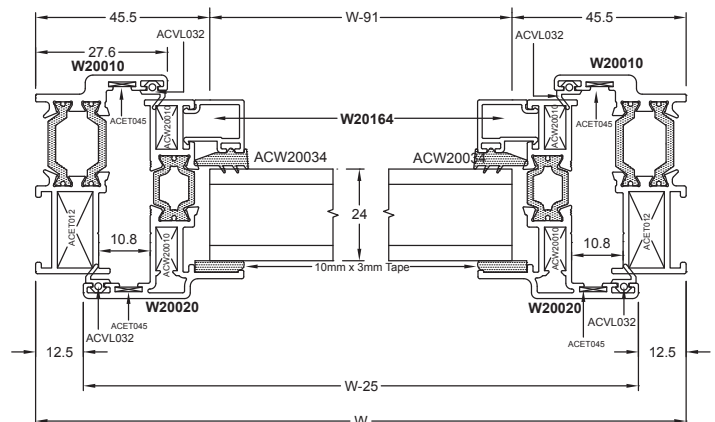
- Slim sightlines
- Tape or gasket glazed
- Single point locking and face mounted shoot bolts

## Technical Performance

<b>U Value</b>	1.8 W/m <sup>2</sup> K (using suitable glass unit)
<b>Air</b>	Test result pending
<b>Water</b>	Test result pending
<b>Wind</b>	Test result pending
<b>Glass</b>	24mm – 32mm
<b>Typical Sightlines</b>	59mm

## Recommended Design Limits

<b>Max Width</b>	900mm
<b>Max Height</b>	2100mm



**smart**  
architectural aluminium

Smart Systems Limited Arnolds Way, Yatton, North Somerset BS49 4QN. UK

Tel +44 (0)1934 876100 Fax +44 (0)1934 835169 sales@smartsystems.co.uk www.smartsystems.co.uk

Images and drawings are for illustrative purposes only and are not binding in specification, colour or detail.